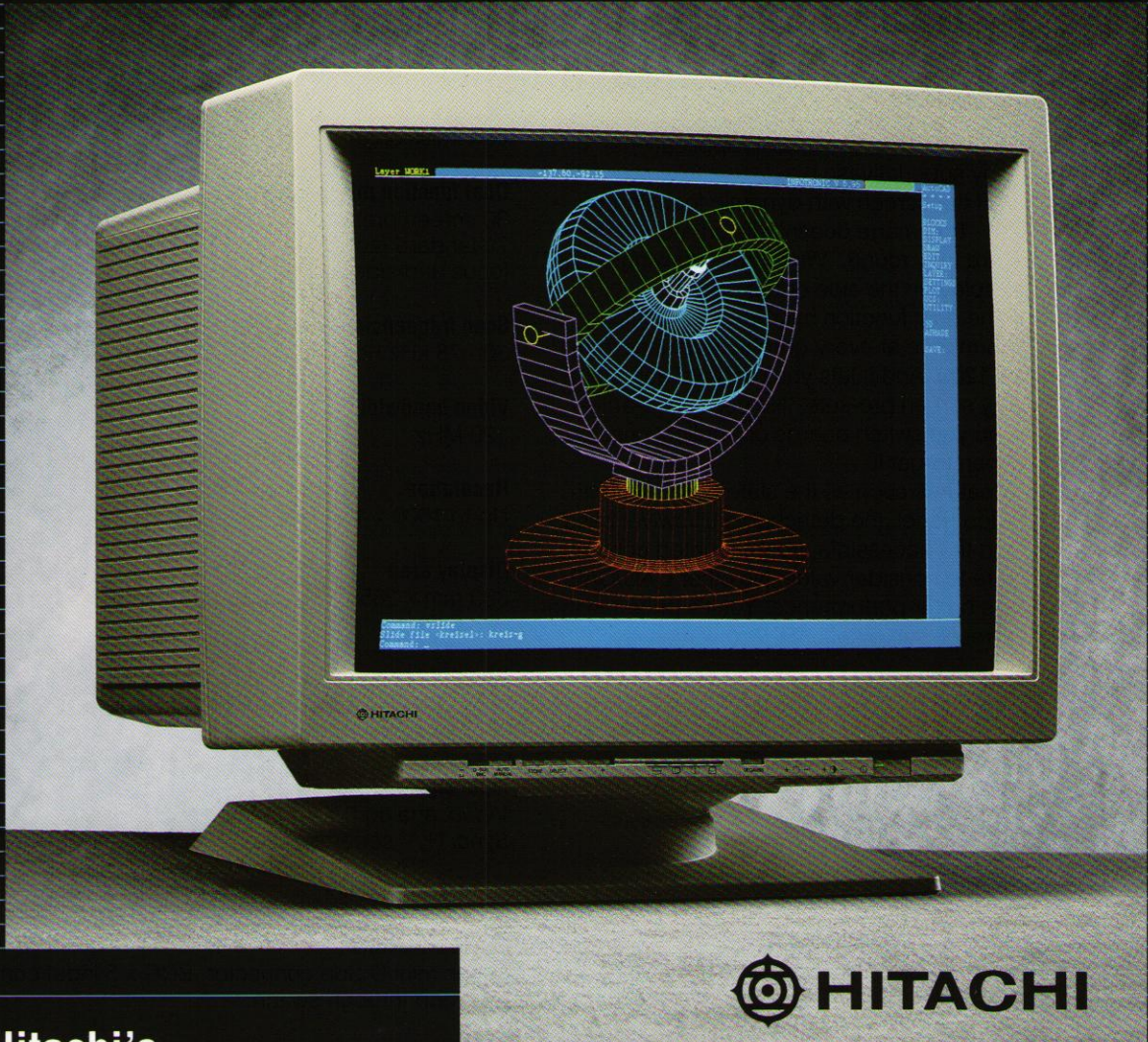


CM2187M

Hitachi 21-inch multi-scanning color monitor



**Hitachi's
best CAD/CAE
monitor —**

- *2R flat screen*
- *Dynamic focus*
- *AR bonded panel*
- *Dual function microprocessor*
- *Supports every graphic standard
from VGA to 1600 x 1200*

 **HITACHI**

NSA®
NISSEI SANGYO AMERICA, LTD.

CM2187M

Hitachi 21-inch multi-scanning color monitor

If you're looking for the best monitor for high-end workstations, this is it.

The sharpest focus, the steadiest image, the brightest picture, the least distortion, the broadest auto-scanning range. No other monitor for CAD, CAE applications delivers as many superlatives.

Take the 2R flat-screen with dynamic focus and square corners. The image doesn't distort around the edge. Circles are truly round. Wire frame drawings do not lose any display on the side or top edges.

Consider the dual function microprocessor. It optimizes performance at every graphic standard from VGA to 1600 x 1200. And it lets you program and store up to 30 display screen pre-sets. No need to re-adjust the screen when you switch boards or applications. Do the job once; then forget it.

Consider features such as the state-of-the-art anti-reflection bonded panel, the detachable tilt/swivel base, dual inputs, and the accessible, front-mounted controls.

And be sure to consider value. No other CAD/CAE monitor delivers better performance. Yet it's priced in the range of lower resolution monitors that give you less.

For additional information contact:

Specifications

CRT

21 inch (20V) diagonal. 2R flat surface and square corner. Dynamic focus (H & V). Dark bulb 55% transmission. Anti-reflection bonded panel.

Dual function microprocessor

30 screen presets (23 user programmable plus 7 standard factory settings). Auto-controlled dynamic focus and side pin cushion.

Scan frequencies

30 - 78 kHz horizontal. 50 - 120 Hz vertical.

Video bandwidth

120 MHz.

Resolution

Up to 1600 x 1200.

Display area

380 mm x 285 mm plus programmable overscan capability.

Worldwide power supply

115/230 V (switchable), 50/60 Hz. 130 W max. consumption.

Input signal

Video: analog 0.7 vp-p 75 ohm.

Sync: H, V separate TTL. H, V composite TTL.

Sync on green. Automatic sync mode detection.

Input connectors

15 pin mini D-Sub connector. BNC x 5 input connectors with loop through switch.

Size/weight

488 mm wide x 467 mm high x 534 mm deep, including detachable tilt swivel base. 30.5 Kg (67 lbs).

Specifications are subject to change without notice.

Compatibility

VGA, Super VGA, 8514/A, 1024 x 768, 1280 x 1024, 1600 x 1200, Mac II.

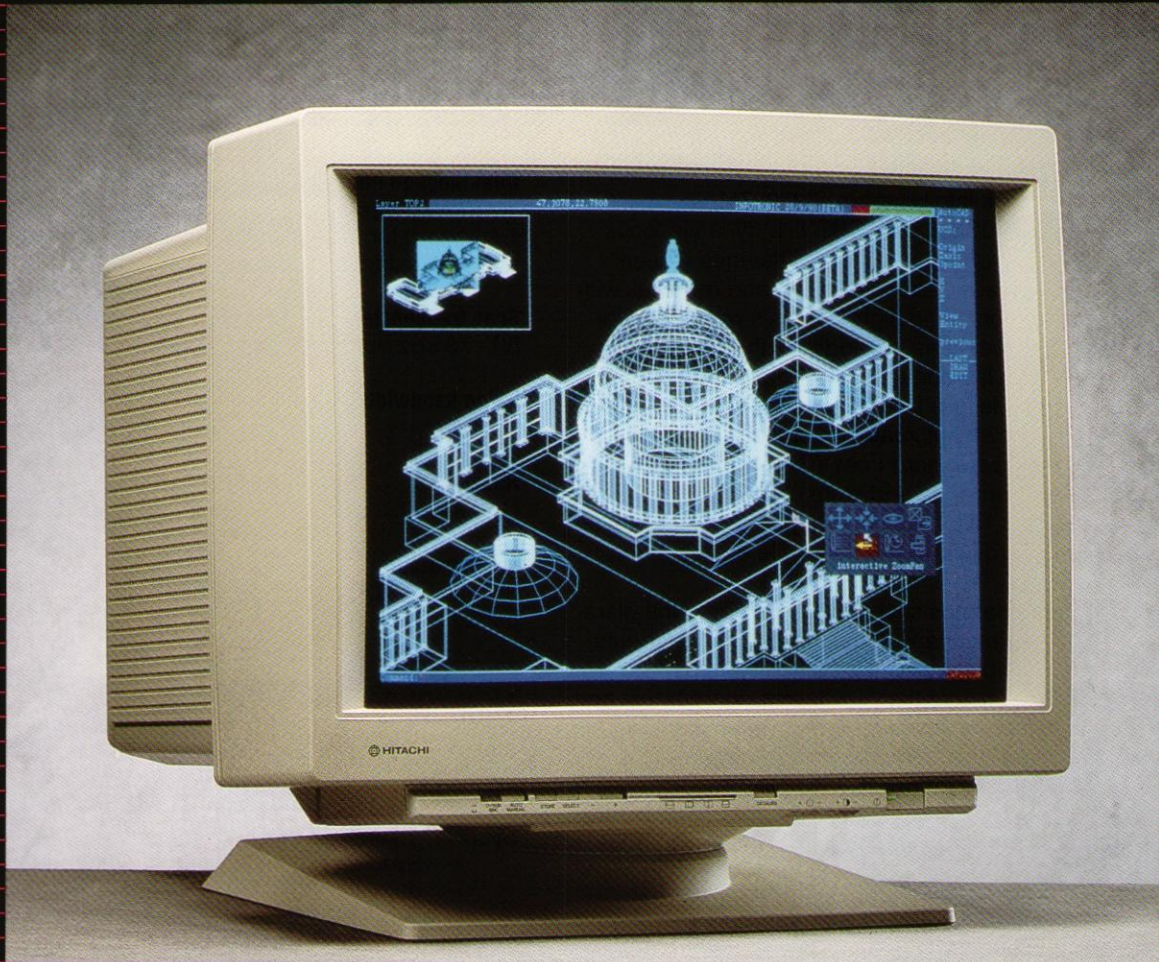


NISSEI SANGYO AMERICA, LTD.

800 South Street
Waltham, MA 02154
(800) 441-4832

CM2087M

Hitachi 20-inch multi-scanning color monitor



 **HITACHI**

**Great performance
Great value
For high-end CAD/CAM**

- *20-inch dark tube*
- *Dynamic focus*
- *Soft silica anti-glare*
- *Programmable screen presets*
- *Super high refresh*
- *Supports every graphic standard
from VGA to 1280 x 1024*

 **NSA**®
NISSEI SANGYO AMERICA, LTD.

CM2087M

Hitachi 20-inch multi-scanning color monitor

Great performance. Great value. For high-end CAD/CAM and CAE applications.

If you're looking for a big picture monitor that delivers the crisp, clear detail you need for CAD/CAM and CAE applications, look into Hitachi's CM2087M.

Its advanced dark bulb CRT with dynamic focus and super high refresh delivers a difference you can see — Rock-steady, razor-sharp text and graphics with rich, vibrant colors. The high refresh is well-suited for multimedia applications. In addition, the CM2087M is compatible with leading edge stereographics.

Next consider the CM2087M's dual function microprocessor. It automatically optimizes performance at every graphic standard from VGA to 1280 x 1024. And it lets you program and store up to 30 display screen pre-sets. No need to re-adjust the screen when you switch boards or applications. Do the job once; then forget it.

Consider features such as the soft silica anti-glare treatment, the detachable tilt/swivel base, dual inputs, and the accessible, front-mounted controls.

Then put it all together — Clearer, sharper text and graphics. Flexibility to meet today's graphic standards as well as tomorrow's. Excellent ergonomics. And Hitachi's reputation for quality, reliability and value. It's easy to see why more users are choosing Hitachi. And why you should too.

For additional information contact:



Specifications

CRT

20 inch (19V) diagonal. Dynamic focus (H & V).
Dark bulb 52% transmission. Soft silica anti-glare.

Dual function microprocessor

30 screen presets (23 user programmable plus
7 standard factory settings). Auto-controlled dynamic
focus and side pin cushion.

Scan frequencies

30 - 78 kHz horizontal. 50 - 120 Hz vertical.

Video bandwidth

120 MHz.

Resolution

Up to 1280 x 1024.

Display area

350 mm x 270 mm plus programmable overscan
capability.

Power supply

115 V, 50/60 Hz. 135 W max.
consumption.

Input signal

Video: analog 0.7 vp-p 75 ohm.
Sync: H, V separate TTL. H, V composite TTL.
Sync on green. Automatic sync mode
detection.

Input connectors

15 pin mini D-Sub connector. BNC x 5 input connectors
with loop through switch.

Size/weight

488 mm wide x 467 mm high x 534 mm deep,
including detachable tilt/swivel base. 35.5 Kg (78 lbs).

Specifications are subject to change without notice.

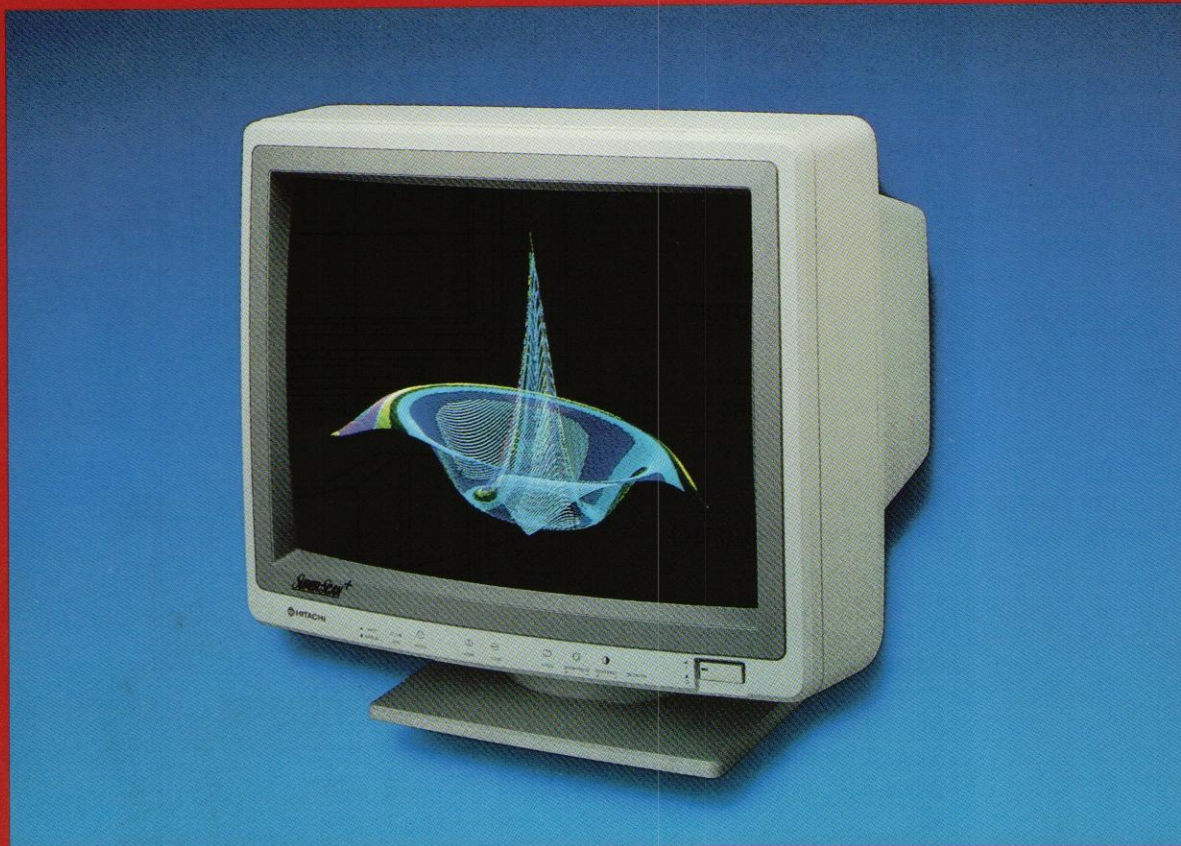
Compatibility

VGA, Super VGA, 8514/A, 1024 x 768,
1280 x 1024, Mac II.



800 South Street
Waltham, MA 02154
(800) 441-4832

SUPERSCAN+



20-INCH MULTI-SCANNING COLOR MONITOR

CM2085M

- VGA
- Super VGA
- 8514/A
- 1024 X 768
- 1280 X 1024
- And MAC II compatible

 **HITACHI**

NSA

NISSEI SANGYO AMERICA, LTD.

20-INCH MULTI-SCANNING COLOR MONITOR

- Automatically adjusts to every graphic standard from VGA to ultra-high resolution.
- Auto-scanning, auto-syncing from 30 - 64 kHz (horizontal) and 50 - 120 Hz (vertical).
- State-of-the-art silica-coat anti-glare treatment. There's none better.
- Tilt/swivel base with broad adjustment range for user comfort.
- Controls are front-mounted for easy access.
- Resolutions up to 1280 x 1024.
- 0.31mm tri-dot pitch.
- RGB analog input.
- Compact, lightweight cabinet. The only monitor in its class that can ship via UPS. All others must be trucked.

SPECIFICATIONS

CRT:
20-inch (19V") diagonal, 90° deflection, in-line gun, tri-dot pitch 0.31 mm, silica-coated

Power input:
AC 120 V ± 10%, 50/60 Hz or
AC 220 V ± 10%, 50 Hz
(internal tap selectable)

Power consumption: 130 W

Signal input:
Video: R,G,B analog
Sync: Sync on green/H,
V Composite/H, V separate

Scanning frequencies:
Horizontal: 30 - 64 kHz
Vertical: 50 - 120 Hz

Display area:
360(H) x 270(V) mm, (max.)

Misconvergence:
Center: 0.3 mm (max.)
Corners: 0.5 mm (max.)

Controls:
Contrast, brightness, H-center,
V-center, H-size, V-size

Dimensions (W x H x D):
488 x 462 x 494 mm including
swivel base

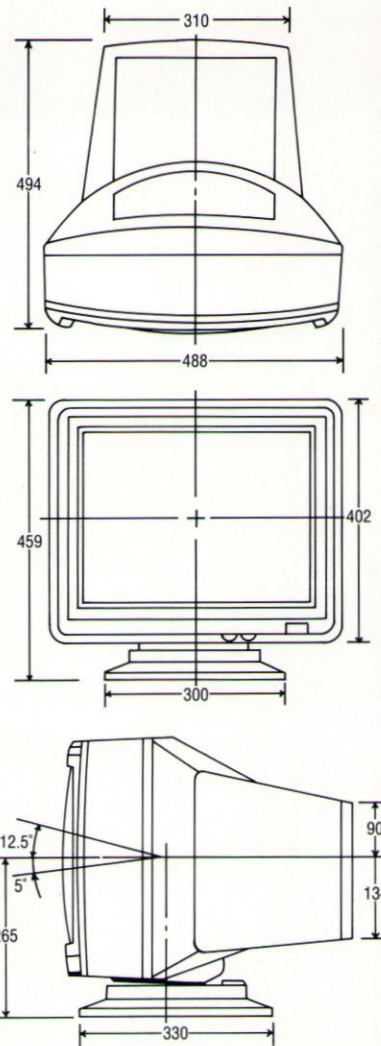
Weight:
30 kg including swivel base

Connectors:
Signal input: BNC connector
and 9-pin D-Sub
Power input: 3-pin connector

Specifications are subject to change
without notice.

COMPATIBILITY

VGA, Super VGA, 8514/A, 1024 x 768,
1280 x 1024 and Mac II



(unit in mm)

For additional information contact:



NISSEI SANGYO AMERICA, LTD.

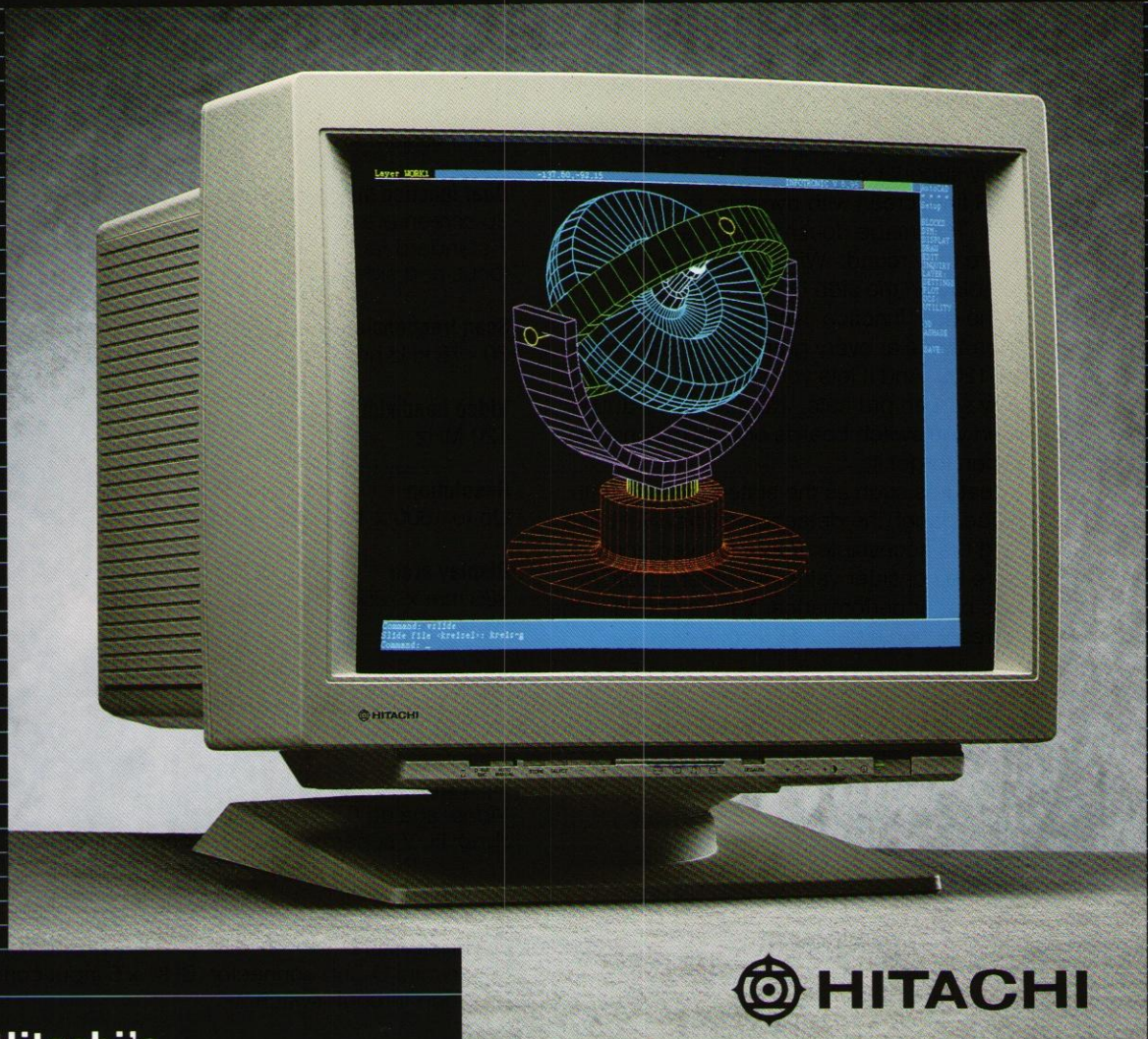
800 South Street
Waltham, Massachusetts 02154
(800) 441-4832



SUPERSCAN+

CM2187M

Hitachi 21-inch multi-scanning color monitor



**Hitachi's
best CAD/CAE
monitor —**

- *2R flat screen*
- *Dynamic focus*
- *AR bonded panel*
- *Dual function microprocessor*
- *Supports every graphic standard
from VGA to 1600 x 1200*

 **HITACHI**

NSA®
NISSEI SANGYO AMERICA, LTD.

CM2187M

Hitachi 21-inch multi-scanning color monitor

If you're looking for the best monitor for high-end workstations, this is it.

The sharpest focus, the steadiest image, the brightest picture, the least distortion, the broadest auto-scanning range. No other monitor for CAD, CAE applications delivers as many superlatives.

Take the 2R flat-screen with dynamic focus and square corners. The image doesn't distort around the edge. Circles are truly round. Wire frame drawings do not lose any display on the side or top edges.

Consider the dual function microprocessor. It optimizes performance at every graphic standard from VGA to 1600 x 1200. And it lets you program and store up to 30 display screen pre-sets. No need to re-adjust the screen when you switch boards or applications. Do the job once; then forget it.

Consider features such as the state-of-the-art anti-reflection bonded panel, the detachable tilt/swivel base, dual inputs, and the accessible, front-mounted controls.

And be sure to consider value. No other CAD/CAE monitor delivers better performance. Yet it's priced in the range of lower resolution monitors that give you less.

For additional information contact:

Specifications

CRT

21 inch (20V) diagonal. 2R flat surface and square corner. Dynamic focus (H & V). Dark bulb 55% transmission. Anti-reflection bonded panel.

Dual function microprocessor

30 screen presets (23 user programmable plus 7 standard factory settings). Auto-controlled dynamic focus and side pin cushion.

Scan frequencies

30 - 78 kHz horizontal. 50 - 120 Hz vertical.

Video bandwidth

120 MHz.

Resolution

Up to 1600 x 1200.

Display area

380 mm x 285 mm plus programmable overscan capability.

Worldwide power supply

115/230 V (switchable), 50/60 Hz. 130 W max. consumption.

Input signal

Video: analog 0.7 vp-p 75 ohm.

Sync: H, V separate TTL. H, V composite TTL.

Sync on green. Automatic sync mode detection.

Input connectors

15 pin mini D-Sub connector. BNC x 5 input connectors with loop through switch.

Size/weight

488 mm wide x 467 mm high x 534 mm deep, including detachable tilt swivel base. 30.5 Kg (67 lbs).

Specifications are subject to change without notice.

Compatibility

VGA, Super VGA, 8514/A, 1024 x 768, 1280 x 1024, 1600 x 1200, Mac II.



NISSEI SANGYO AMERICA, LTD.

800 South Street
Waltham, MA 02154
(800) 441-4832